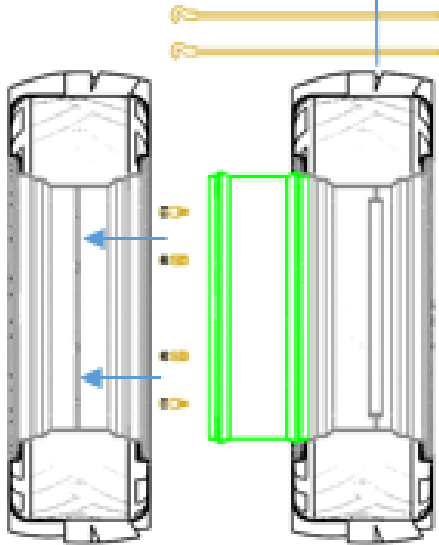
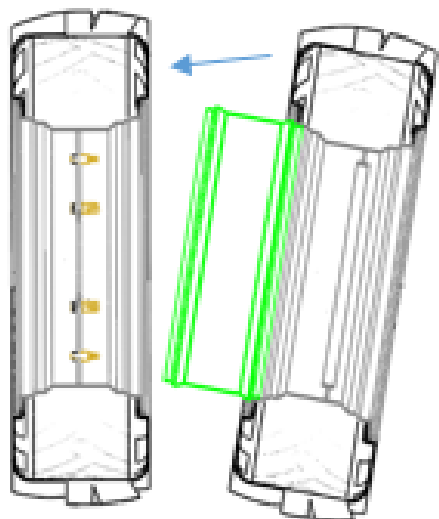


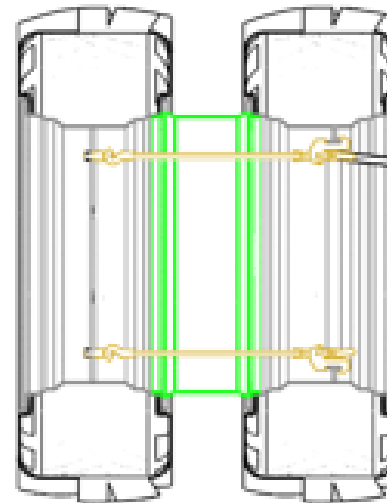
Assembly Instructions



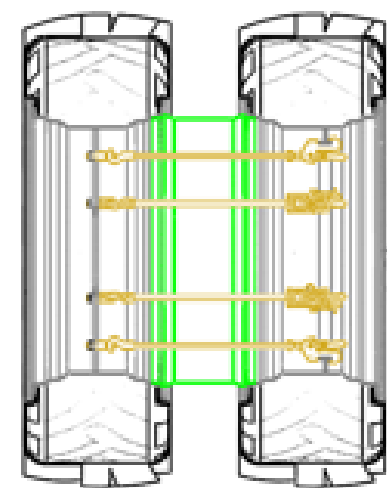
1.) Install Eye bolts on your wheel centre and cut threaded hook rods to the required length.



2.) Drive tractor wheel being mounted to onto a block to lift it off the ground slightly. Line up the dual wheels and tilt it onto the existing wheel.



3.) Hook the threaded rods through the eyebolt and begin to install clamps. Use a pipe spanner to tighten.



4.) Insert the cotter pins provided into the clamp to ensure it will not come undone. Check that the outer dual is mounted hard up against your existing wheel. Make sure to retighten after a short time of driving